

# NSB 170FT *Blue + Battery*<sup>®</sup>

Designed for demanding telecom applications



The proven performance of **Blue Star Technology**<sup>®</sup> now enhanced to deliver **more power, high cycling and fast recharge**

- + 2 year shelf life
- + Ideal for demanding environments with unstable AC power
- + High cycling and fast recharge performance
- + High potential fuel savings when used with hybrid genset applications
- + Modified electrochemistry delivers high capacity and high power density
- + 10 year float life at 25°C (77°F)
- + Operating temperature range -40°C to +65°C
- + High modulus Polyphenylene Oxide (PPO) plastic materials designed to withstand extended elevated operating temperatures
  - Non-halogenated, thermally sealed plastic casing
  - Flame retardant (UL 94 V0) and LOI of at least 28%
- + Partial State of Charge (PSOC) cycling technology

Visit our website to find out more [www.northstarbattery.com](http://www.northstarbattery.com)



# NSB 170FT *Blue + Battery*<sup>®</sup>

## Technical Specifications



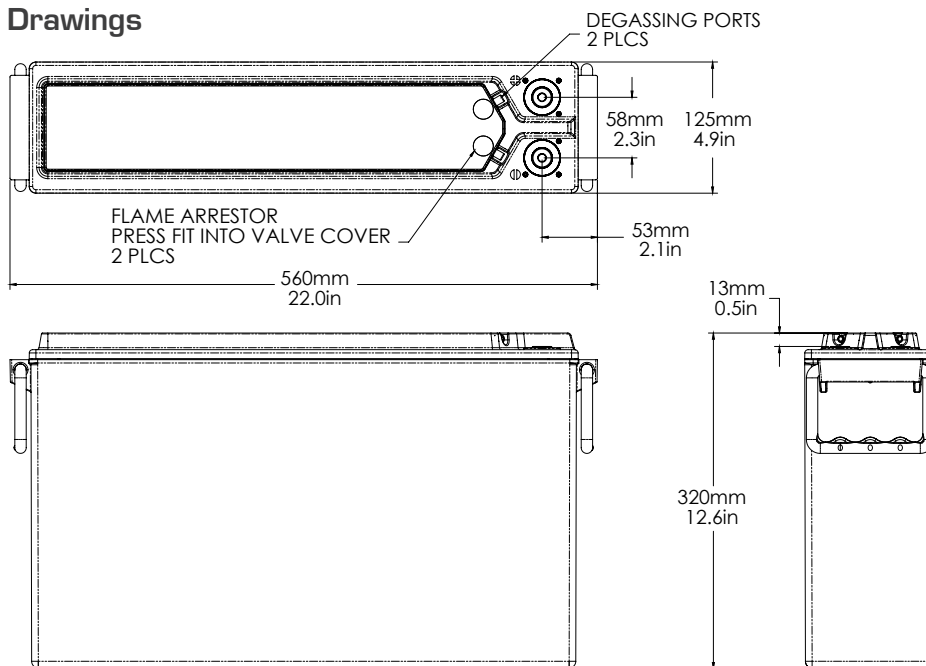
### Electrical

10 hour capacity to 1.80 VPC @ 25°C (77°F)	170 Ah
8 hour capacity to 1.75 VPC @ 25°C (77°F)	168 Ah
10 hour capacity to 1.80 VPC @ 20°C (68°F)	168 Ah
Float Voltage	2.27 +/- 0.02 VPC @ 25°C (77°F)
Nominal Voltage	12 V
Impedance (1kHz)	2.1 mΩ @ 25°C (77°F)
Conductance	2,380
Short Circuit Current	6,000 A
Maximum Charge Current	no limit

### Dimensions

Height	320 mm (12.6 in)	Weight	61 kg (135 lbs)
Width	125 mm (4.9 in)	Terminal	Female M8 x 1.25
Depth	560 mm (22.0 in)	Terminal Torque	8.0 Nm (71 in-lbs)

### Drawings



All NorthStar batteries are compliant with: Telcordia SR4228, Bellcore GR-63-Core, Issue 1; British, German, and Russian telecom standards; UL approved. NorthStar is registered to ISO 9001 and ISO 14001.

**NorthStar Americas**  
 NorthStar Battery Company LLC  
 4000 Continental Way  
 Springfield, MD, 65803,  
 United States of America  
 info@northstarbattery.com  
 Tel: +1 417 575 8200  
 Fax: +1 417 575 8250

**NorthStar Europe**  
 SiteTel Sweden AB  
 Staffans Väg 6-8  
 SE-192 07 Sollentuna,  
 Stockholm, Sweden  
 europe@northstarbattery.com  
 Tel: +46 8 410 102 00  
 Fax: +46 8 638 06 00

**NorthStar Middle East, Africa**  
 SiteTel Sweden AB JTL Branch  
 Office 702, Saba 1 Tower  
 Jumeirah Lake Towers, Dubai  
 United Arab Emirates  
 mea@northstarbattery.com  
 Tel: +971 4 423 8060  
 Fax: +971 4 423 8061

**NorthStar Asia-Pacific**  
 NS Asia Pacific Sdn. Bhd.  
 Level 20, Menara Standard  
 Chartered  
 30 Jalan Sultan Ismail, 50250  
 Kuala Lumpur, Malaysia  
 asia@northstarsitetel.com  
 Tel: +60 3 2117 5354

[www.northstarbattery.com](http://www.northstarbattery.com)

