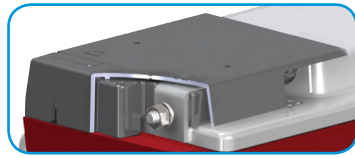
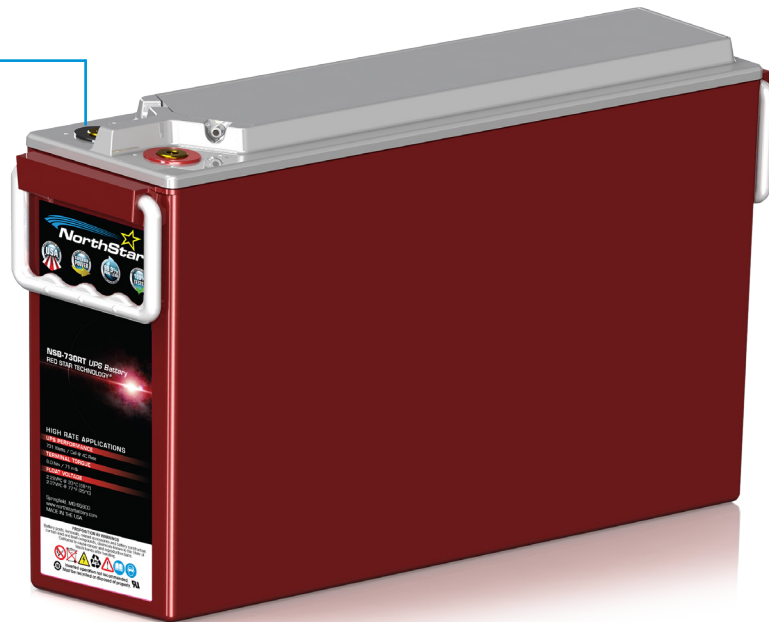


NSB 12-730RT *UPS Battery*

Designed for mission critical applications



Front Terminal Adapter



NorthStar's UPS batteries are ideal for use with datacenters and other applications where **downtime is not an option.**

- Performance excels at high rates of discharge and recharge
- 15 year float life at 20°C (68°F)
- EUROBAT design life definition: Long Life (12+ years)
- High energy density
- Operating temperature range: -40°C to +65°C (-40°F to 149°F)
- State-of-the-art automated manufacturing ensures consistency and reliability
- Advanced 3 stage terminal design to ensure leak-free operation - female M8 brass terminals provide maximum performance
- 2 year shelf life at 25°C (77°F)
- High modulus Polyphenylene Oxide (PPO) plastic materials designed to withstand extended elevated operating temperatures and maintain high battery compression essential for reliable operation
 - Non-halogenated, thermally sealed plastic casing
 - Flame retardant (UL 94 V0) and LOI of at least 28%
- Pure lead, advanced valve regulated AGM batteries ensure power when it is needed most.
- Integral handles and front access terminals ensure ease of installation and maintenance
- Approved as non-hazardous cargo for ground, sea, and air transport - DOT 49CFR173.159(d), (i) and (ii)

Visit our website to find out more www.northstarbattery.com



NSB 12-730RT UPS Battery

Nominal Technical Specifications



Electrical

	International Standard 20°C (68°F)	North American Standard 25°C (77°F)
4C (15 min.) power to 1.67 VPC	686 Watts/Cell	731 Watts/Cell
Float Voltage	2.29 +/- 0.02 VPC	2.27 +/- 0.02 VPC
Impedance (1kHz)	2.2 mΩ @ 25°C (77°F)	
Conductance	2,400 S	
Nominal Voltage	12 V	
Short Circuit Current	6,000 A	
Shelf Life	2 years	

Dimensions

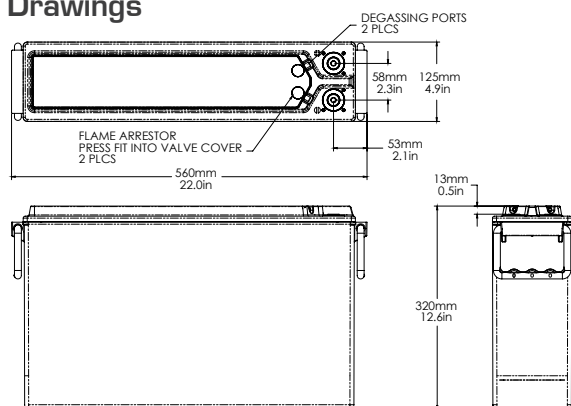
Height	320 mm (12.6 in) 323 mm (12.7 in) with Front Terminal adapter	Weight	61 kg (134 lbs)
Width	125 mm (4.9 in)	Terminal	Female M8 x 1.25
Depth	560 mm (22.0 in)	Terminal Torque	8.0 Nm (71 in-lbs)

Constant Power Discharge Ratings

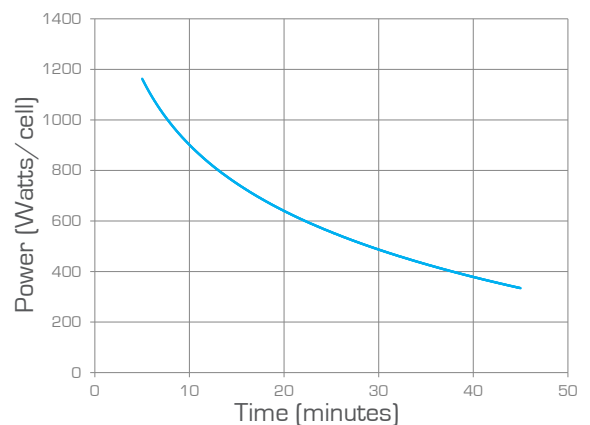
Duration (minutes) (watts/cell @ 25°C/77°F)

End of discharge (Volts)	2	5	10	15	20	30	45	60	120
1.75	1160	1029	815	676	580	455	347	282	164
1.70	1329	1129	840	712	606	471	356	288	165
1.67	1421	1182	899	731	620	479	361	291	166
1.65	1477	1214	917	743	628	484	363	293	167
1.60	1593	1282	954	767	645	494	369	836	168

Drawings



Discharge Curve to 1.67 VPC



NorthStar Americas

NorthStar Battery Company LLC
4000 Continental Way
Springfield, MD, 65803,
United States of America
info@northstarbattery.com
Tel: +1 417 575 8200
Fax: +1 417 575 8250

NorthStar Europe

SiteTel Sweden AB
Staffans Väg 6-8
SE-192 07 Sollentuna,
Stockholm, Sweden
europe@northstarbattery.com
Tel: +46 8 410 102 00
Fax: +46 8 638 06 00

NorthStar Middle East, Africa

SiteTel Sweden AB JTL Branch
Office 702, Saba 1 Tower
Jumeirah Lake Towers, Dubai
United Arab Emirates
mea@northstarbattery.com
Tel: +971 4 423 8060
Fax: +971 4 423 8061

NorthStar Asia-Pacific

NS Asia Pacific Sdn. Bhd.
Level 20, Menara Standard
Chartered
30 Jalan Sultan Ismail, 50250
Kuala Lumpur, Malaysia
asia@northstarsitel.com
Tel: +60 3 2117 5354

www.northstarbattery.com

