

MORE POWER - LESS SPACE™

Deka®

unigy I®

12AVR-90

- **Exclusive IPF™ technology optimizes power capacity, cell consistency, and long-term reliability**
- Epoxy-sealed inserted posts deliver reliable standby power under the most demanding applications
- Space saving Absorbed Glass Mat (AGM) construction (48 volt system fits in 23" racks)
- Reinforced case resists bulging and meets safety requirements (UL94 V0)
- Computer-aided design and manufacturing control processes and standards to ensure quality products
- All batteries meet or exceed IEEE 485 and Telcordia capacity requirements
- Battery design and construction meet UL recognition requirements
- I.C.A.O., I.M.D.G., I.A.T.A. and D.O.T. air transport approved



UL Recognized Component



SPECIFICATIONS

- Nominal Voltage:** 12-Volt/82 ampere-hours @ 8hr rate to 1.75 final volts/cell
- Positive Plate:** Pure lead, low-calcium, high-tin alloy
- Negative Plate:** Lead calcium alloy
- Post Seal:** Epoxy-sealed
- Terminal:** 1/4" x 20 brass insert
- Container:** Flame-retardant, polypropylene - UL94 V0/>28% L.O.I.

- Safety Vent:** Low positive pressure, self-sealing w/ flame arrestor
- Float Voltage:** 2.25 volts per cell ± 0.01 vpc (13.50 volts per 6-cell unit)
- Design Life:** 10 years in float applications at 77°F/25°C
- Dimensions:** 12.01" (305 mm) L x 6.80" (173 mm) W x 8.24" (209 mm) H
- Weight:** 66 lbs. (29.9 kg)

DISCHARGE RATE IN AMPS*†

Volts Per Cell (V.P.C.)	1 HR.	3 HR.	5 HR.	8 HR.	10 HR.	12 HR.	20 HR.	24 HR.
1.75	57.3	23.9	15.5	10.3	8.4	7.1	4.4	3.7
1.80	55.3	23.4	15.2	10.1	8.2	7.0	4.3	3.7
1.85	51.8	22.2	14.5	9.6	7.9	6.7	4.2	3.5
1.88	48.7	21.1	13.8	9.2	7.5	6.4	4.0	3.7
1.90	45.7	20.1	13.2	8.7	7.2	6.1	3.8	3.2

* @77°F (25°C) † Subject to change without notice.

"POWERED FOR PERFORMANCE"®

EAST PENN manufacturing co., inc.

Lyon Station, PA 19536-0147 • Phone: 610-682-6361 • Fax: 610-682-4781

Order Department Hotline: 610-682-3263

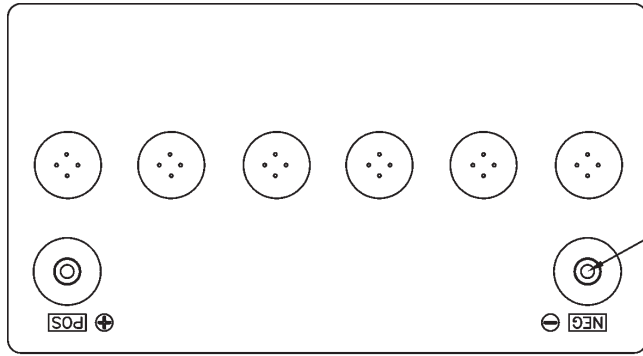
www.eastpennunigy.com • e-mail: sales@eastpennunigy.com

E.P.M. Form No. 0384 Rev. 7/10 © 2010 by EPM Printed in U.S.A.

QUALITY SYSTEM
CERTIFIED
ISO 9001
ISO/TS 16949
ENVIRONMENTAL
SYSTEM CERTIFIED
ISO 14001



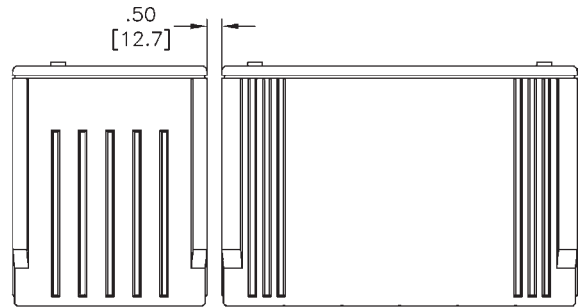
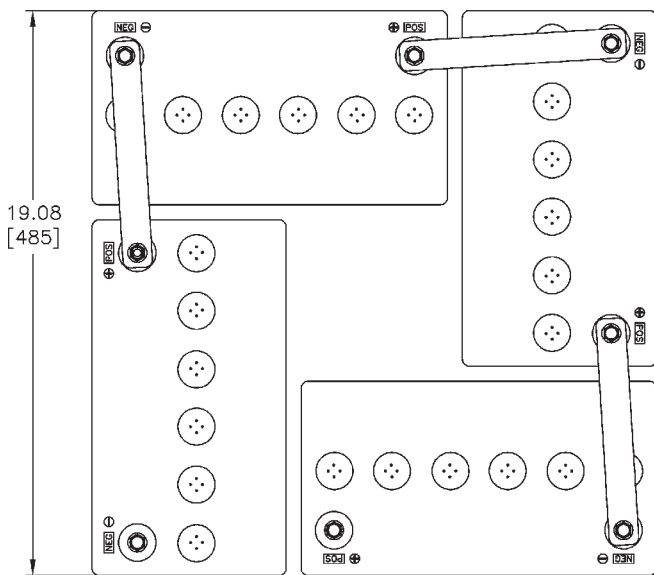
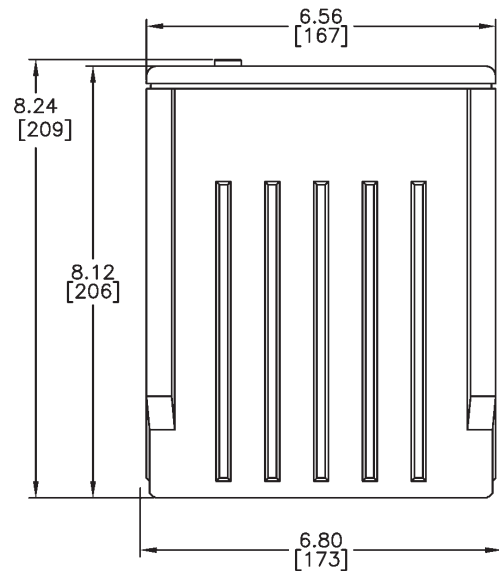
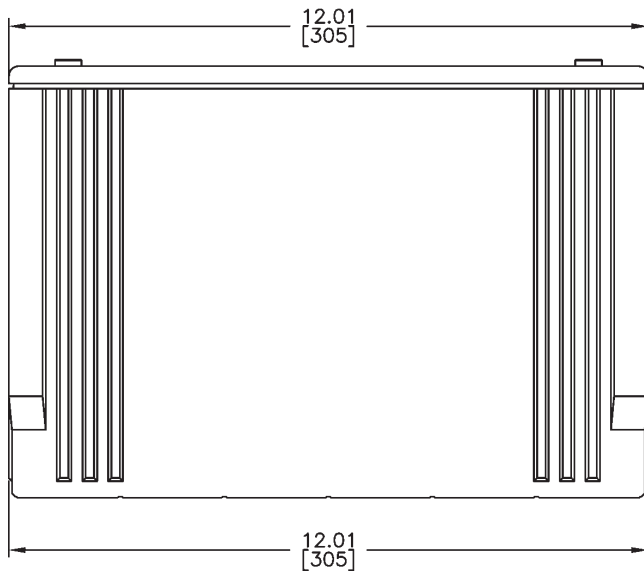
No part of this document may be copied or reproduced, electronically or mechanically, without written permission from the company.



1/4-20 x 1/2 FEMALE THREAD

NOTES:

1. DIMENSIONS IN INCHES[mm]



OPTIONAL CONNECTOR (SHOWN AT LEFT)
PART # JMP0512

INSULATING COVER (OVER CONNECTOR)
PART # JCI0019-8